

All components used in this connector conform to RoHS standards.

**Approved by:**

**Date:**



**Tolerances**

|                |
|----------------|
| 1-20=+/-0.2    |
| 20-30=+/-0.3   |
| 30-40=+/-0.4   |
| 40-50=+/-0.5   |
| 50-100=+/-0.75 |
| 100-300=+/-1.5 |
| Angles=+/-1    |

**Dimensions are in Millimeters**

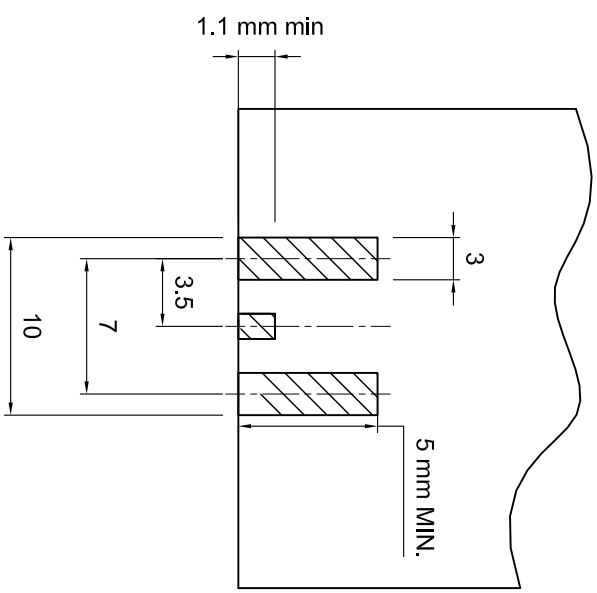
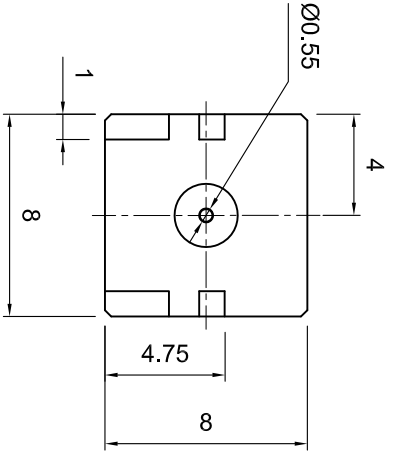
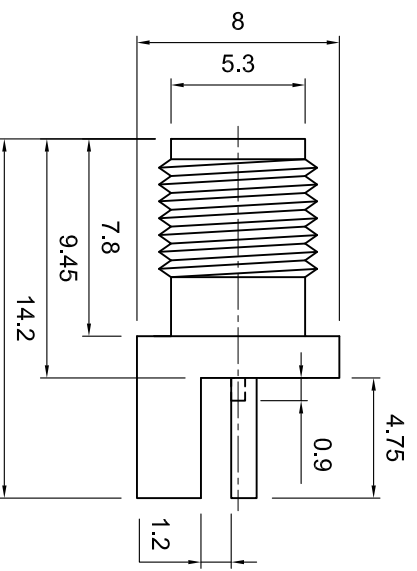
| Revisions                 | Approved | Date            |
|---------------------------|----------|-----------------|
| Description/Approved/Date | T.J.A.   | 03/04/2010      |
| Checked                   | T.J.A.   | Date 03/04/2010 |
| Drawn                     | R.D.P.   | Date 03/03/2010 |

NOTES (plating thickness in micro-inches):

|   |  |
|---|--|
| 5. Per MIL-P-19468                              | 9. Nickel pl. 100 min. over copper strike      |
| 6. Per ZZ-R-765                                 | 10. Per QQ-P-35                                |
| 7. Per WW-T-799                                 | 11. Gold pl. min. over nickel pl. 50 min. over |
| 8. Gold pl. 5 min. over nickel pl. 50 min. over |  |
| 9. Per QQ-C-530                                 |  |
| 10. Per QQ-B-750                                |  |
| 11. Per QQ-B-750                                |  |

**Electrical Ratings**

Frequency Range: DC ~ 26.5 GHz  
 Impedance: 50 ohm  
 Insulation Resistance: 10000 Mohm min  
 Dielectric Withstanding Volatage: 1000 (Vrms min. at sea level)



**RECOMMENDED LANDING**

| ITEM              | MATERIAL       | FINISH        |
|-------------------|----------------|---------------|
| Connector Body    | Brass, Note 1  | Gold, Note 8  |
| Center Contact: F | BeCu, Note 3   | Gold, Note 11 |
| Insulation        | Teflon, Note 5 | None          |

**RECOMMENDED LANDING**

**PAD DIMENSIONS**

**Lighthouse Technologies, Inc.**

9511 Ridgheaven Court, Suite B  
 San Diego, California 92123

Part Number: **LT-SASF55ZGT-P2-4**

|             |  |             |   |
|-------------|--|-------------|---|
| Ferrule     |  | Description | SMA 26.5 GHz end launch jack for a .042" PCB board. |
| Gasket      |  |             |   |
| Hex Nut     |  |             |   |
| Lock Washer |  |             |   |
|             |  | Description | Gold plated brass body, Teflon dielectric.          |
|             |  | Scale       | 3:1   |
|             |  | Drawing No. |   |
|             |  | File Name   | SASF55ZGT-P2-4                                      |